



# Standalone / Wiegand reader Webpass Lite reader

- ★IP-65 Rating Weather Proof  
Suitable For outdoor
- ★Multiple Card Types Support  
(EM/ Mifare standard)
- ★Cost-Effective solution from  
Single door to Multi-door architecture
- ★Easy Wire connection thru RS-485



For high security and access control

## WEBPASS LITE

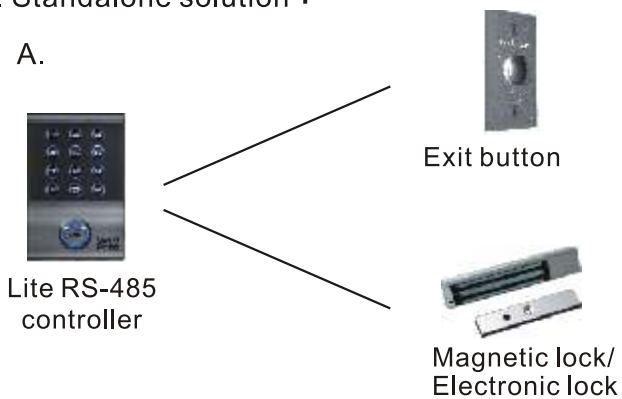
### Specification:

- Built-In dry contact , relay box, and I/O for input & output devices (Standalone)
- Cardholder capacity : 1500 (Standalone)
- Log entry capacity : 1500 entries (Standalone)
- Operation Temperature : 0~70°C
- Operation Humidity : 30% ~ 90%
- Power requirement : 9 ~ 24VDC
- Dimension : 120 x 80 x 25 (mm)/ 150 g

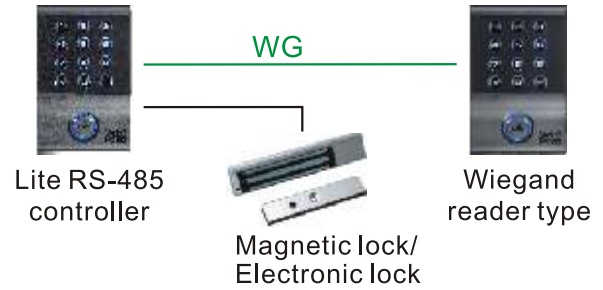
## Application :

### 1. Standalone solution :

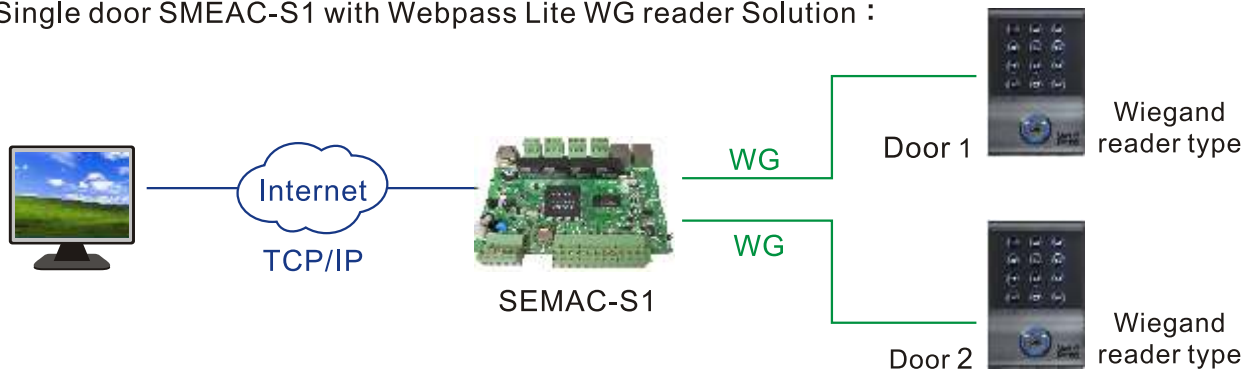
A.



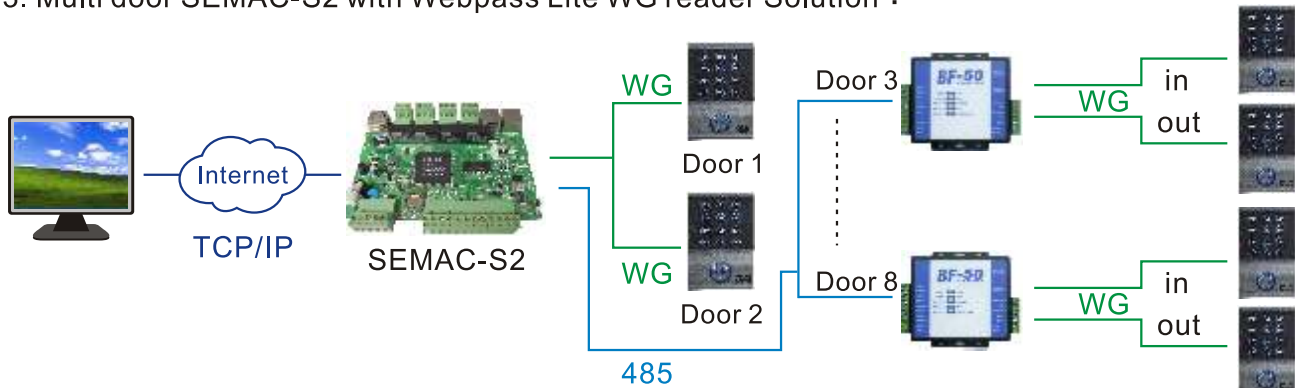
B.



### 2. Single door SEMAC-S1 with Webpass Lite WG reader Solution :



### 3. Multi door SEMAC-S2 with Webpass Lite WG reader Solution :



## How to order :

Model	Type	Application	Contact format
WEBPASS LITE-S Standalone	EM/ Mifare/ Others	Standalone RS-485 connection Multi door control software	DC9~24V (500mA) Lock Relay x1 Open contact x1 Sensor contact x1 Fire Alarm Input x1
WEBPASS LITE-R Wiegand reader		WG 26/ 34 Password Control Buzzer & LED	DC9~24V(300mA) WG OUT x1 Buzzer Control x1 LED Controlx1

Welcome to **CHIYU**